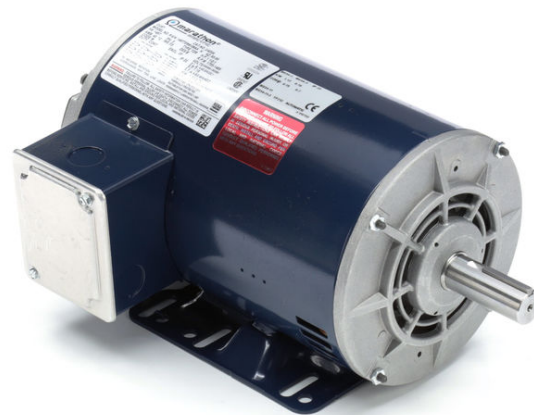


PRODUCT INFORMATION PACKET

Model No: 145TTDR4134

Catalog No: U422

2 HP General Purpose Motor, 3 phase, 1800 RPM, 200-208 V, 145T Frame, ODP
Three Phase ODP Motors





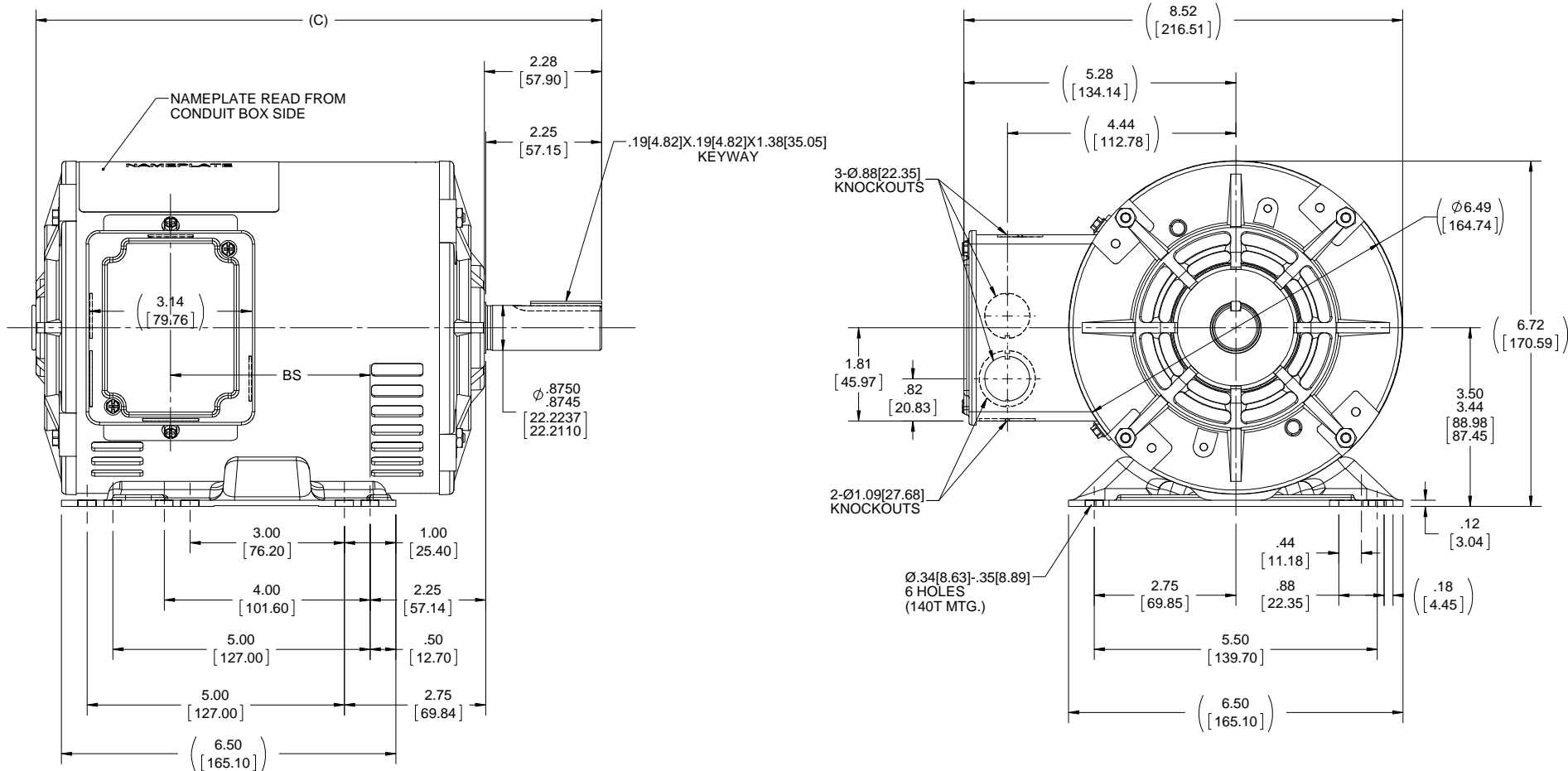
Nameplate Specifications

| | | | |
|------------------------|-------------------|----------------------------|-------------------|
| Output HP | 2 Hp | Output KW | 1.5 kW |
| Frequency | 60 Hz | Voltage | 200-208 V |
| Current | 6.7-6.2 A | Speed | 1745 rpm |
| Service Factor | 1.15 | Phase | 3 |
| Efficiency | 84 % | Power Factor | 76.7 |
| Duty | Continuous | Insulation Class | B |
| Design Code | B | KVA Code | M |
| Frame | 145T | Enclosure | Drip Proof |
| Thermal Protection | Automatic | Ambient Temperature | 40 °C |
| Drive End Bearing Size | 6205 | Opp Drive End Bearing Size | 6203 |
| UL | Recognized | CSA | Y |
| CE | Y | IP Code | 22 |

Technical Specifications

| | | | |
|-----------------------|------------------------------------|-----------------------|------------------------|
| Electrical Type | Squirrel Cage Induction Run | Starting Method | Across The Line |
| Poles | 4 | Rotation | Reversible |
| Resistance Main | 1.96 Ohms | Mounting | Rigid Base |
| Motor Orientation | Horizontal | Drive End Bearing | Ball |
| Opp Drive End Bearing | Ball | Frame Material | Rolled Steel |
| Shaft Type | T | Overall Length | 12.99 in |
| Frame Length | 9.06 in | Shaft Diameter | 0.875 in |
| Shaft Extension | 2.28 in | Assembly/Box Mounting | F1 Only |

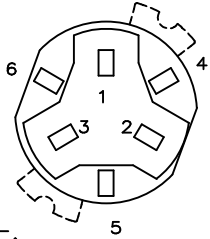
This is an uncontrolled document once printed or downloaded and is subject to change without notice. Date Created:01/11/2019



NOTES:
1.CONDUIT BOX CAN BE ROTATED 180°.

| | | | | | | | | |
|----------|---------------|--------------|---|--------------------------|--------------------|--|------------------------|---------------------------------|
| DASH NO. | "C" | "BS" | DRAWING REVISION E | REVISION BY A. KEETHA | DATE 01-09-2018 | TOLERANCES UNLESS OTHERWISE SPECIFIED: DEC. INCH mm ANGLE -X +0.1 [+2.5] ±7-30° .XX ±0.03 [+0.76] .XXX ±0.005 [+0.127] .XXXX ±0.0005 [+0.0127] | DRAWN BY GK | Regal Beloit America, Inc. |
| 706 | 10.99[279.14] | 3.87[98.29] | ECO ECO-0143026 | APPROVED BY PST | DATE 04/11/2018 | REMOVE BURRS & BREAK SHARP EDGES: .003/.015 [.076/.381] X 45° CORNER FILLETS: R.02 [.51] | DATE 02-04-1988 | |
| 756 | 11.49[291.84] | 4.37[110.99] | ECO DESCRIPTION OUTLINE CONVERSION PROJECT | | | PROPRIETARY AND CONFIDENTIAL INFORMATION - THIS DOCUMENT IS THE PROPERTY OF REGAL BELOIT AMERICA, INC. (OWNER) AND CONTAINS OWNER'S PROPRIETARY INFORMATION. ANY PERSON, CORPORATION OR OTHER FIRM RECEIVING IT IS DEEMED, BY RECEIVING IT, TO AGREE THAT IT, AND/OR ANY PART OF IT, SHALL NOT BE DISCLOSED TO ANY PERSON, CORPORATION OR OTHER ENTITY, DUPLICATED, AND/OR USED, EXCEPT AS EXPRESSLY APPROVED IN WRITING IN ADVANCE BY OWNER. THIS DOCUMENT SHALL BE RETURNED TO OWNER UPON REQUEST. IT MAY BE SUBJECT TO CERTAIN RESTRICTIONS UNDER APPLICABLE EXPORT CONTROL LAWS AND REGULATIONS. | APPROVED BY FG | MATERIAL |
| 806 | 11.99[304.54] | 4.87[123.69] | COPYRIGHT REGAL BELOIT AMERICA, INC. ALL RIGHTS RESERVED. | | | MACHINED SURFACES: 200 5.1 INCH mm | DATE 02-04-1998 | PROCESS/FINISH |
| 856 | 12.49[317.24] | 5.37[136.39] | | | | | REFERENCE 100085 | DRAWING NUMBER 100085 |
| 906 | 12.99[329.94] | 5.87[149.09] | | | | | THIRD ANGLE PROJECTION | SIZE B |
| 956 | 13.49[342.64] | 6.37[161.79] | | | | | | SHEET 1 OF 1 |

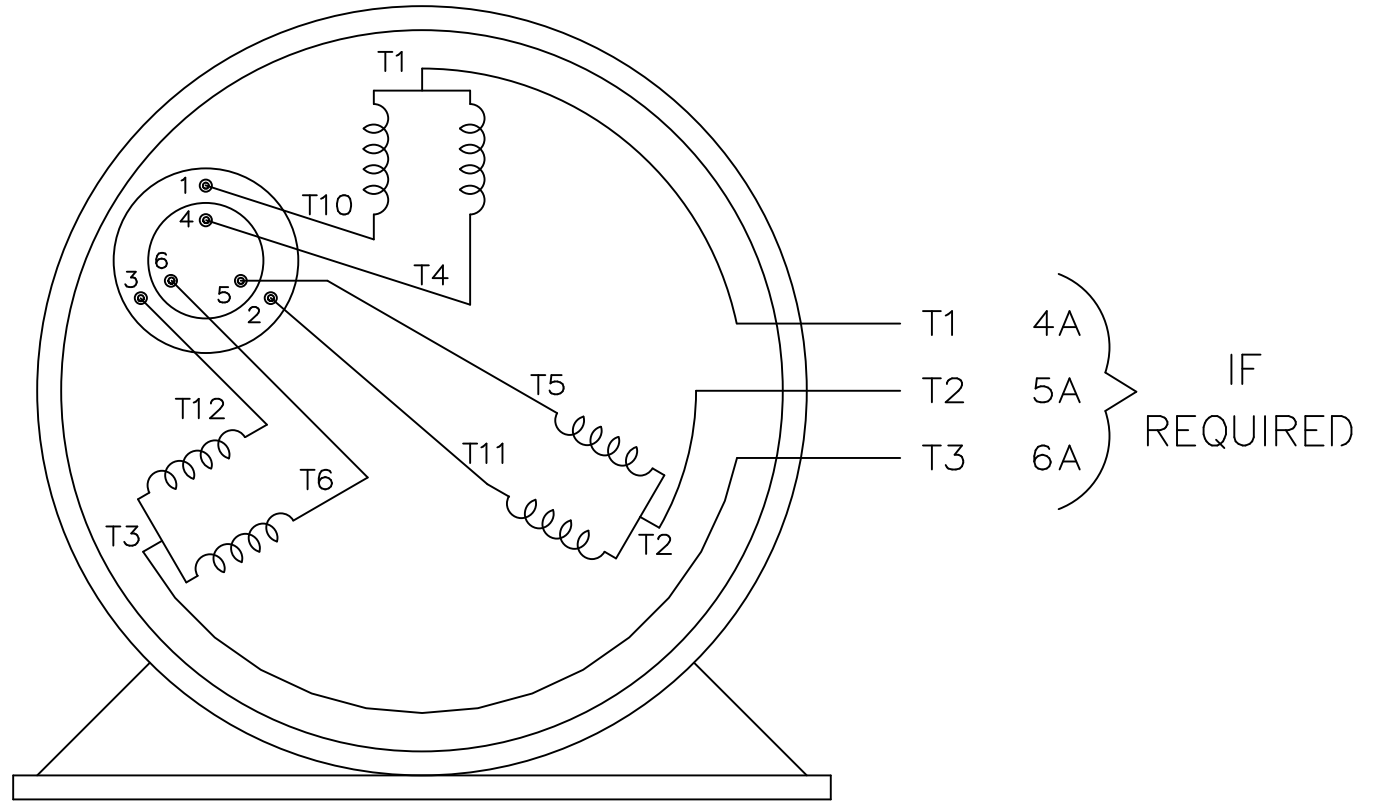
SINGLE VOLTAGE – THREE PHASE WITH OVERLOAD PROTECTOR



NOTE:
ACTUAL PROTECTORS
TERMINAL LOCATIONS
FOR LEAD CONNECTIONS

NOTE:
WEST PLAINS

LEADS WITH TERMINALS
SHOULD BE CONNECTED
TO INBOARD SIDE OF
TERMINAL BOARD.



VIEW OF TERMINAL END

TO REVERSE ROTATION:
INTERCHANGE ANY TWO LINE
LEAD CONNECTIONS.

| | | | | TOLERANCES UNLESS SPECIFIED | | | DRAWN DA 03-26-1993 | | | |
|--|--|----------------|-----|--------------------------------|------------------|---|---------------------|---------------------|-----------|--------|
| | | | | DEC. | INCHES | | CHK ML 03-26-1993 | | | |
| 8 | ADDED 4A, 5A & 6A "IF REQUIRED" MU80422 | RJW 07-10-2007 | ML | .X | ± - | TITLE CONNECTION DIAGRAM SINGLE VOLT – 3Ø W/OVERLOAD PROT. | APPD GK 03-26-1993 | SCALE 1=1 | | |
| 7 | ADDED TERM. BOARD CONNECTION NOTE CN 19219 | SMC 10-13-1994 | | .XX | ± - | | REF | | | |
| 6 | ADDED ACTUAL PROTECTOR VIEW CN 17481 | KL 05-18-1994 | | .XXX | ± - | | FMF | | | |
| 5 | REDRAWN – NO CHANGE | DA 03-29-1993 | | .XXXX | ± - | | PREV | | | |
| NO. | REVISION | BY & DATE | CHK | ANG | ± - | | FINISH | | | |
| THIS DRAWING IN DESIGN AND DETAIL IS OUR PROPERTY AND MUST NOT BE USED EXCEPT IN CONNECTION WITH OUR WORK ALL RIGHTS OF DESIGN AND INVENTION ARE RESERVED THIS IS AN ELECTRONICALLY GENERATED DOCUMENT – DO NOT SCALE THIS PRINT | | | | RFP | CAD FILE ee7335a | | SIZE A | DRAWING NO. EE7335A | PAGE OF 8 | REV. 8 |
| | | | | DIST LB-WP | | | | | | |